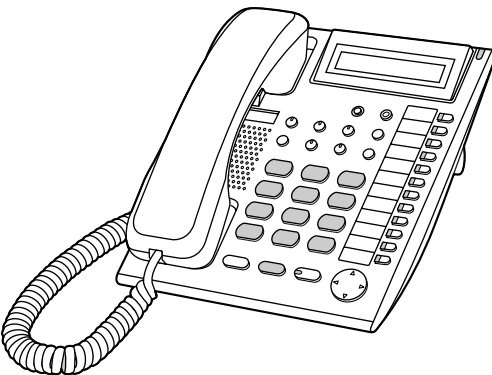


Panasonic®

Digital Proprietary Telephone

User Guide










Model No. KX-T7667






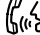

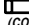



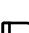








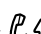


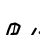


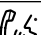
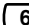




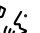





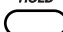









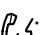


Please read this guide before using and save for future reference.

Document Version: 2006-02

Features List

-  Outside (CO) Line button
  Off-hook
  On-hook
  Feature number
  Talk
 Incoming Call Distribution Group button
  Direct Station Selection button
 Confirmation Tone
  Ringback Tone
 C. Tone R.B. Tone


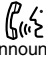


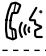
















Feature	Operation
Making Calls	
Calling	<p>To an extension</p>  ► extension no. ► 
Redial	 ► REDIAL ► 
Quick Dialing	 ► quick dial no. ► 
One-touch Dialing	<p>To store</p>  ►  ► 2 ► desired no. (max. 32 digits) ►  ► 
	<p>To dial</p>  ►  assigned as a One-touch Dialing button ► 
Operator Call	 ► 0 ► 
Personal Speed Dialing	<p>To store</p>  ► * ► 3 ► 0 ► personal speed dial no. (2 digits) ► desired no. (max. 32 digits) ► # ►  
	<p>To dial</p>  ►  ► * ► personal speed dial no. (2 digits) ► 
System Speed Dialing	<p>To dial</p>  ►  ► system speed dial no. (3 digits) ► 
Doorphone Call	 ► * ► 3 ► 1 ► doorphone no. (2 digits) ►  
Automatic Callback Busy	<p>To set</p> <p><i>While hearing a busy tone</i></p>   
	<p>To answer from an idle extension</p> <p><i>While hearing a callback ring</i></p>   
	<p>To cancel</p>  ► * ► 4 ► 6 ►  
	<p>To answer from an idle outside line</p> <p><i>While hearing a callback ring</i></p>  ► outside phone no. ► 
During a Conversation	
Call Hold	<p>To hold</p>   
	<p>To retrieve a call at the holding extension</p>  ►  /  /  ► 
	<p>To retrieve an outside call from another extension</p>  ►  ► 

Features List





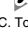


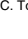


















Feature	Operation
During a Conversation	
Call Transfer	<p>TRANSFER [extension no. To an extension] [(CO) outside phone no. To an outside party] </p>
Useful Features	
Off-hook Monitor	<p>To set/cancel <i>During a conversation using the handset</i></p>
Call Park	<p>To set</p> <p>TRANSFER [* 5 2] [parking zone no. (2 digits) Specified *] [* Auto] </p>
	<p>To retrieve</p> <p> [* 5 2] [stored parking zone no. (2 digits)] </p>
Multiple Party Conversation	<p>To add other parties during a conversation</p> <p> [desired phone no.] Talk to the new party. Talk with multiple parties.</p>
	<p>To leave a conference</p> <p> </p>
Call Pickup	<p> [* 4 1] [extension no. Directed] [* 4 0] [group no. (2 digits) Group] </p>
Sending a Call Waiting Tone	<p><i>While hearing a busy tone</i></p> <p>[1] Wait for an answer. </p>
Answering a Call Waiting	<p>To hold the current call then talk to the new party</p> <p> [(CO) / INTERCOM] </p>

* Disregard this step if both parties are extensions.

Features List

Feature	Operation
Useful Features	
Paging	<p>To page</p>  ▶ * 3 3 ▶ paging group no. (2 digits) C. Tone  ▶ Wait for an answer. C. Tone 
	<p>To answer</p>  ▶ * 4 3 C. Tone 
	<p>To allow/deny a paged announcement</p>  ▶ * 7 2 1 1 Deny * 7 2 1 0 Allow C. Tone 
Message Waiting	<p>Caller</p> <p>To leave a message waiting indication <i>When the called extension is busy or does not answer</i></p>  C. Tone 
	<p>Called extension</p>  ▶  ▶ 
Log-in/Log-out	 ▶ * 7 3 6 1 For Log-in * 7 3 6 0 For Log-out ▶ ICD Group extension no. Specified * All C. Tone 
Before Leaving Your Desk	
Setting Absent Message	<p>To set</p>  ▶ * 7 5 0 ▶ message no. (1-9) ▶ parameter (if required) ▶ # ▶ 
	<p>To cancel</p>  ▶ * 7 5 0 0 ▶ 
Call Forwarding	 ▶ * 7 1 ▶ 0 Both Calls 1 Outside Calls 2 Intercom Calls ▶
	<div style="border: 1px dashed black; padding: 10px;">  ▶ 2 All calls 3 Busy 4 No answer 5 Busy/ No answer 0 Cancel ▶ extension no. OR CO line access no. ▶ outside phone no. ▶ # C. Tone </div>

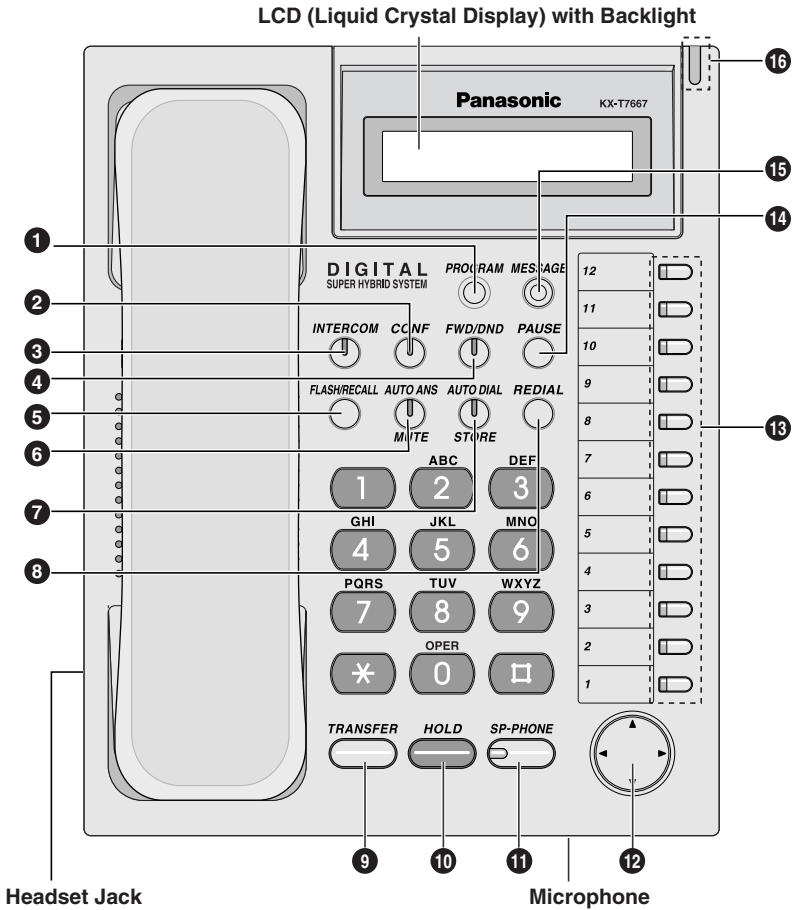
Features List

Feature	Operation										
Before Leaving Your Desk											
Extension Dial Lock	To lock  ► * 7 7 1  										
	To unlock  ► * 7 7 0 ► extension PIN* (max. 10 digits)   <small>*PIN: Personal Identification Number</small>										
Setting the Telephone According to Your Needs											
Do Not Disturb	 ► * 7 1 ► <table border="1" style="display: inline-table; vertical-align: middle;"> <tr><td>0</td><td>Both Calls</td></tr> <tr><td>1</td><td>Outside Calls</td></tr> <tr><td>2</td><td>Intercom Calls</td></tr> </table> ► <table border="1" style="display: inline-table; vertical-align: middle;"> <tr><td>1</td><td>Set</td></tr> <tr><td>0</td><td>Cancel</td></tr> </table>  	0	Both Calls	1	Outside Calls	2	Intercom Calls	1	Set	0	Cancel
0	Both Calls										
1	Outside Calls										
2	Intercom Calls										
1	Set										
0	Cancel										
Extension Feature Clear	 ► * 7 9 0  										
Timed Reminder	To set  ► * 7 6 0 1 ► hour/minute (4 digits) ► <table border="1" style="display: inline-table; vertical-align: middle;"> <tr><td>0</td><td>AM</td></tr> <tr><td colspan="2" style="text-align: center;">OR</td></tr> <tr><td>1</td><td>PM</td></tr> </table> ► ► <table border="1" style="display: inline-table; vertical-align: middle;"> <tr><td>0</td><td>once</td></tr> <tr><td>1</td><td>daily</td></tr> </table>  	0	AM	OR		1	PM	0	once	1	daily
	0	AM									
OR											
1	PM										
0	once										
1	daily										
To cancel  ► * 7 6 0 0   To stop or answer the ring back  / 											
Receiving Call Waiting	To set/cancel for intercom calls  ► * 7 3 1 ► <table border="1" style="display: inline-table; vertical-align: middle;"> <tr><td>0</td><td>No Call</td></tr> <tr><td>1</td><td>Tone</td></tr> <tr><td>3</td><td>Whisper OHCA</td></tr> </table>  	0	No Call	1	Tone	3	Whisper OHCA				
	0	No Call									
1	Tone										
3	Whisper OHCA										
To set/cancel for outside calls  ► * 7 3 2 ► <table border="1" style="display: inline-table; vertical-align: middle;"> <tr><td>0</td><td>No tone</td></tr> <tr><td>1</td><td>Tone</td></tr> </table>  	0	No tone	1	Tone							
0	No tone										
1	Tone										



- For more details, refer to the Business Telephone System User Manual or consult your dealer.
- You can change the flexible CO buttons to the feature buttons.
- "Location of Controls" is shown on pages 6-7.

Location of Controls



- ① **PROGRAM:** Used to enter and exit the personal programming mode.
- ② **CONF (Conference):** Used to establish a multiple party conversation.
- ③ **INTERCOM:** Used to make or receive intercom calls.
- ④ **FWD/DND (Call Forwarding/Do Not Disturb):** Used to perform Call Forwarding or Do Not Disturb.
- ⑤ **FLASH/RECALL:** Used to disconnect the current call and make another call without hanging up.


- ⑥ **AUTO ANS (Auto Answer)/MUTE:** Used to receive an incoming call in hands-free mode or mute the microphone/handset during a conversation.
- ⑦ **AUTO DIAL/STORE:** Used for System/Personal Speed Dialing or storing program changes.
- ⑧ **REDIAL:** Used to redial the last dialed number.
- ⑨ **TRANSFER:** Used to transfer a call to another party.
- ⑩ **HOLD:** Used to place a call on hold.

Location of Controls

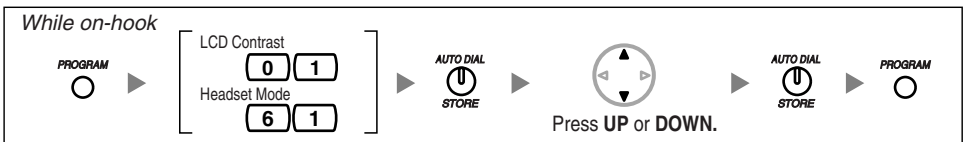
- 11 SP-PHONE (Speakerphone):** Used for the hands-free operation.
- 12 Navigator Key:** Used to adjust the volume and select desired items for each function.
- 13 Flexible Outside (CO) Line Button:** Used to make or receive an outside call. Pressing this button seizes an idle outside line automatically. (Button assignment is required.) Also used as feature buttons. (Button assignment is required.)
- 14 PAUSE:** Used to insert a pause during dialing.
- 15 MESSAGE:** Used to leave a message waiting indication or call back the party who left the message waiting indication.
- 16 Message/Ringer Lamp:** When you receive a call, the lamp flashes red. When someone has left you a message, the lamp stays on red.

◆◆ Setting

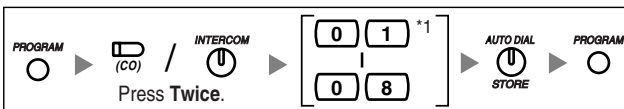
◆ Speaker/Ringer/Handset/Headset Volume

Speaker Volume	<i>While in hands-free conversation</i>	 Press UP or DOWN .
Ringer Volume	<i>While on-hook or receiving a call</i>	
Handset/Headset Volume	<i>While using the handset or headset</i>	

◆ LCD Contrast/Headset Mode

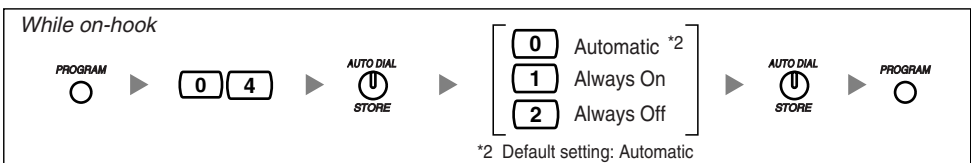


◆ Ring Tone



*1 The ring tone pattern of patterns 09 to 30 is the same as pattern 01.

◆ LCD Backlight



Settings on the Programming Mode

To enter the program mode		To exit	
PROGRAM ○		PROGRAM ○	
Operation			
Loop-CO (L-CO)	► ► STORE	FWD/DND - Both calls	► ► STORE
Single-CO (S-CO)	► ► STORE	FWD/DND - Outside calls	► ► STORE
Direct Station Selection	► ► STORE	FWD/DND - Intercom calls	► ► STORE
One-touch Dialing	► ► STORE	Account	► ► STORE
Incoming Call Distribution Group (ICD Group)	► ► STORE ► ► STORE	Conference	► ► STORE
		Log in/ Log-out	► ► STORE
Preferred Line Assignment-Outgoing	► STORE ►	No line An idle outside line + / A CO/ICD Group button / Intercom	► STORE
Preferred Line Assignment-Incoming	► STORE ►	No line The longest ringing line + / An assigned outside button	► STORE
Alternate Receiving-Ring/Voice	► STORE ►	Ringing (Tone Call) Directly (Voice Call) Ring only	► STORE
Call Waiting for Outside calls	► STORE ►	No (No tone) / Yes (Tone)	► STORE
Call Waiting Selection	► STORE ►	No Call / Tone / Whisper OHCA	► STORE
Call Waiting Tone Type Selection	► STORE ►	Tone 1 / Tone 2	► STORE
Extension PIN [Personal Identification Number] (PIN-max.10 digits)	► STORE ►	To set an extension PIN [extension PIN ► STORE ► same PIN]	► STORE
		To change a stored extension PIN to new one [stored extension PIN ► new PIN ► STORE ► same PIN]	► STORE
Station Programming Data Default Set	► STORE ► STORE		

Note

For your future reference

SERIAL NO. _____ DATE OF PURCHASE _____
(found on the bottom of the unit)

NAME OF DEALER _____

DEALER'S ADDRESS _____

DEALER'S TEL. NO. _____

Panasonic Consumer Electronics Company,
Division of Panasonic Corporation of North America
One Panasonic Way, Secaucus, New Jersey 07094

Panasonic Puerto Rico, Inc.
Ave. 65 de Infantería, Km. 9.5, San Gabriel Industrial Park,
Carolina, Puerto Rico 00985

<http://www.panasonic.com/csd>

© 2006 Panasonic Communications Co., Ltd. All Rights Reserved.

PSQX4007ZA KK0306SY0